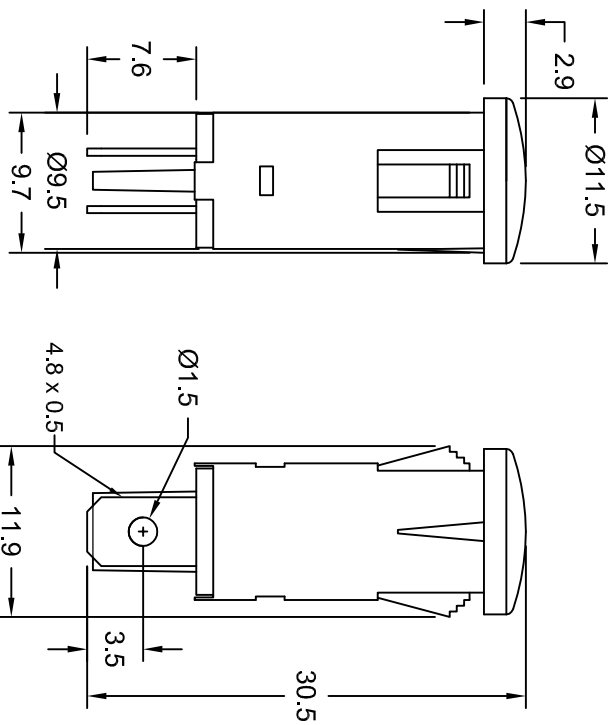


AI - 10 INDICATOR



All dimensions are in mm

PRINTING OPTIONS

NOT APPLICABLE

RATING

250V AC

* Customized Printing options available on request

Indicator Electrical Circuit Diagram



Approvals

Reference Standards : IEC / EN 61058 - 1
UL - 1054

Housing Colour

Red
Blue
Amber
Green

Base Colour

White

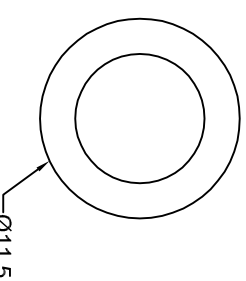
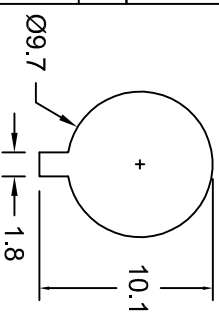
MATERIAL OF CONSTRUCTION

HOUSING : Polycarbonate
Flammability UL 94 V-2
BASE : Nylon 6 (Unfilled)
Flammability UL 94 V-2
TERMINALS : Copper / Copper Alloy

RÖHS Compliant

PANEL CUT-OUT SIZE

BEZEL



PANEL THICKNESS

1.00 mm (MIN)

Astron Switch Craft