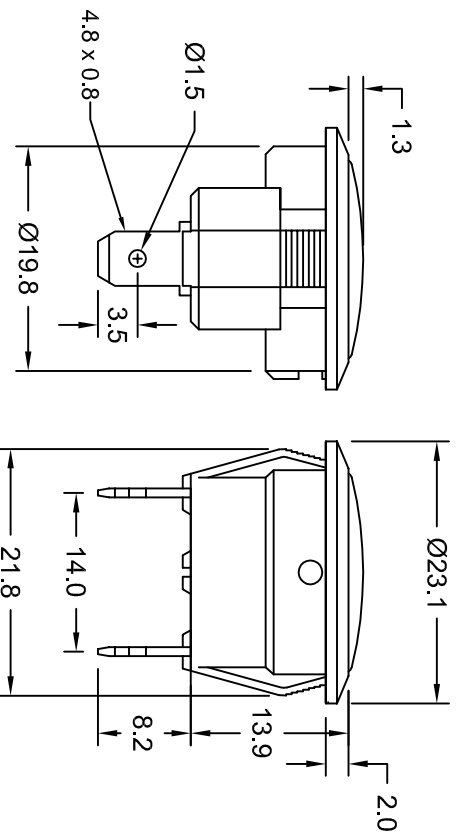


ARS 5 INDICATOR



All dimensions are in mm

PRINTING OPTIONS

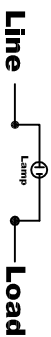
NOT APPLICABLE

RATING

250V AC

* Customized Printing options available on request

Indicator Electrical Circuit Diagram



Approvals

Reference Standards : IEC / EN 61058 - 1
UL - 1054

Body Colour

Black
White

Cap Colour

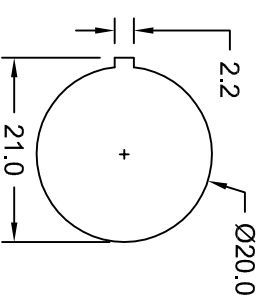
Red
Amber
Blue
Green

MATERIAL OF CONSTRUCTION

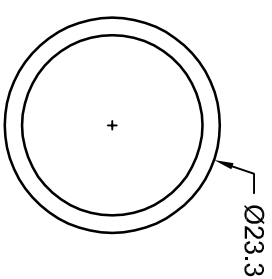
BODY : Nylon 66 (Unfilled)
Flammability UL 94 V-2
CAP : Polycarbonate
Flammability UL 94 V-2
TERMINALS : Copper / Copper Alloy

RoHS Compliant

PANEL CUT-OUT SIZE



BEZEL



DIMENSIONS FOR SNAP - IN MOUNTING

PANEL THICKNESS
1.00 - 2.00 mm

* Panel Cut-outs must be punched in the direction of insertion

Astron Switch Craft