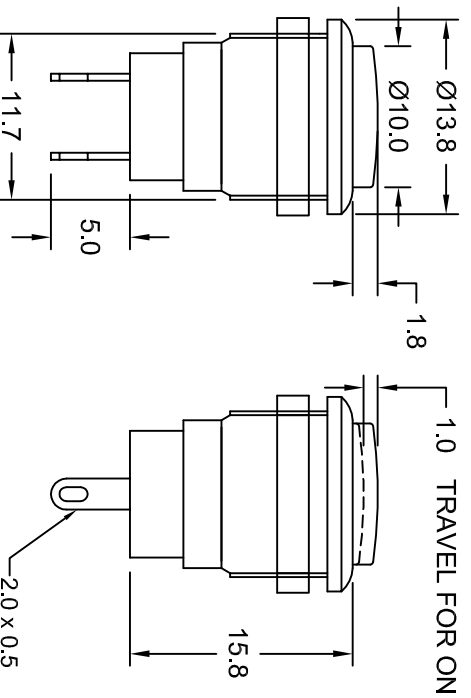


APS 1 PUSH BUTTON SWITCH

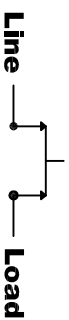


PRINTING OPTIONS

RATING

2 Amp, 250V AC

**Momentary Push Button Switch
Electrical Circuit Diagram**



Approvals

Reference Standards : IEC / EN 61058 - 1
UL - 1054

Body Colour	Actuator Colour
Silver	Red Blue Yellow Green

MATERIAL OF CONSTRUCTION

BODY : Brass

ACTUATOR : ABS
Flammability UL 94 V-2

CONTACTS : Silver / Silver Alloy
Copper

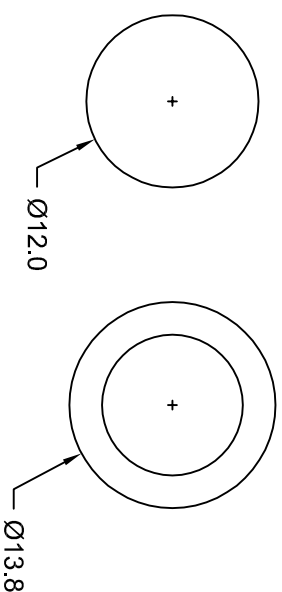
TERMINALS : Copper / Copper Alloy

SPRING : Stainless Steel

RoHS Compliant

PANEL CUT-OUT SIZE

BEZEL



PANEL THICKNESS
1.00 (MIN)

* Panel Cut-outs must be punched in the direction of insertion

Astron Switch Craft