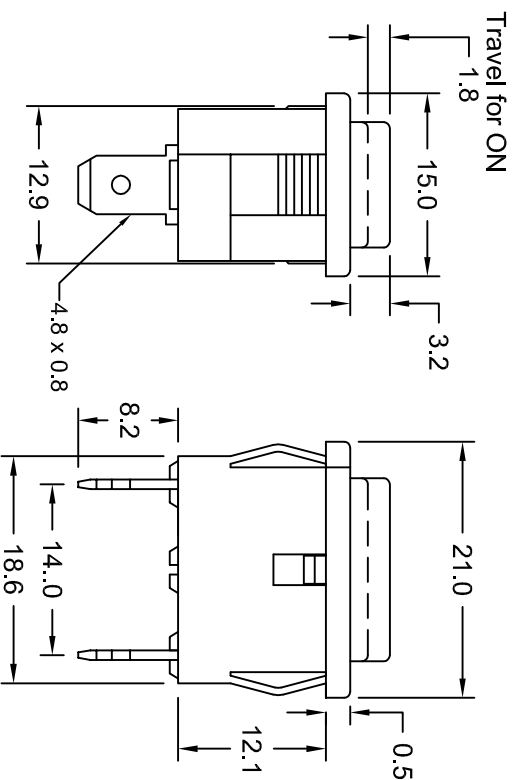
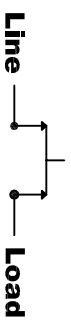


APS 2 PUSH BUTTON SWITCH



Momentary Push Button Switch Electrical Circuit Diagram



Approvals

Reference Standards : IEC / EN 61058 - 1
UL - 1054

Body Colour	Actuator Colour
Black	Black White
	Red Blue
	Yellow Green

MATERIAL OF CONSTRUCTION

BODY : Nylon 6
Flammability UL 94 V-2

ACTUATOR : POM

CONTACTS : Silver / Silver Alloy
Brass

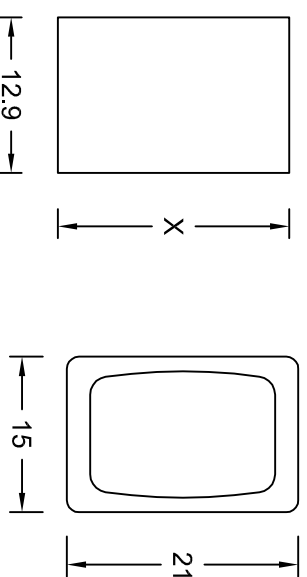
TERMINALS : Copper / Copper Alloy

SPRING : Stainless Steel

RoHS Compliant

PANEL CUT-OUT SIZE

BEZEL



DIMENSIONS FOR SNAP - IN MOUNTING

PANEL THICKNESS	DIMENSION X
0.75 - 1.25	19.2
1.25 - 2.00	19.4
2.00 - 3.00	19.8

* Panel Cut-outs must be punched in the direction of insertion

PRINTING OPTIONS

RATING

2 Amp, 250V AC

Astron Switch Craft