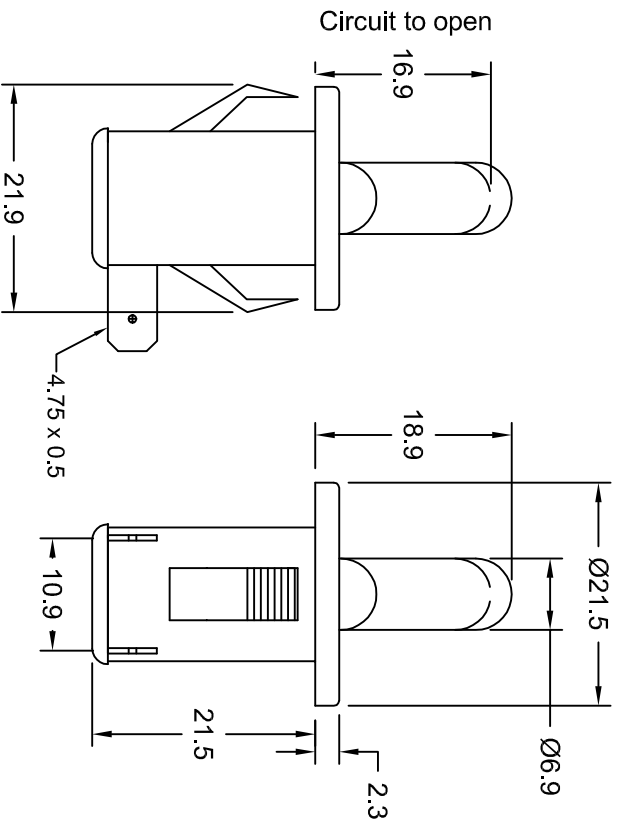
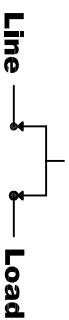


APS 3 PUSH BUTTON SWITCH



Momentary Push Button Switch Electrical Circuit Diagram



Approvals

CE - As per IEC / EN 61058 - 1-1

Reference Standards : IEC / EN 61058 - 1
UL - 1054

Body Colour	White
Actuator Colour	White

MATERIAL OF CONSTRUCTION

BODY : Nylon 6 (Unfilled)
Flammability UL 94 V-2

ROCKER : Nylon 6 (Unfilled)
Flammability UL 94 V-2

CONTACTS : Silver / Silver Alloy
Copper

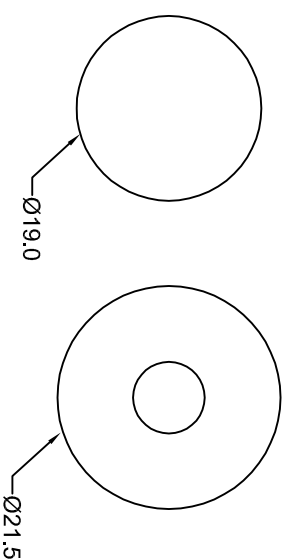
TERMINALS : Copper / Copper Alloy

SPRING : Stainless Steel

RÖHS Compliant

PANEL CUT-OUT SIZE

BEZEL



PANEL THICKNESS

1.00 (MIN)

* Panel Cut-outs must be punched in the direction of insertion

PRINTING OPTIONS

RATING

0.5 Amp, 250V AC

Astron Switch Craft