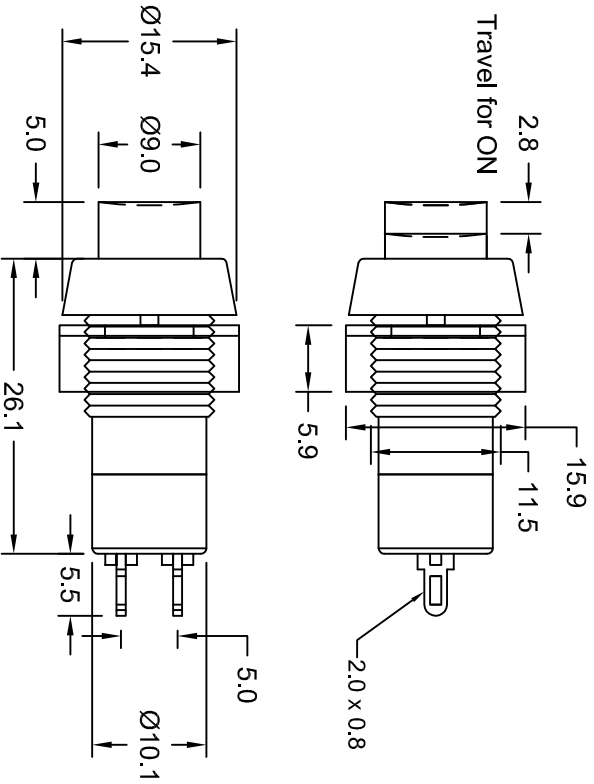


## APS 5 MOMENTARY PUSH BUTTON SWITCH

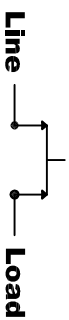


### PRINTING OPTIONS

### RATING

3 Amp, 250V AC

### Momentary Push Button Switch Electrical Circuit Diagram



### Approvals

Reference Standards : IEC / EN 61058 - 1  
UL - 1054

Body Colour	Actuator Colour
Black	Red Blue Yellow Green

### MATERIAL OF CONSTRUCTION

**BODY** : Nylon 6  
Flammability UL 94 V-2

**ACTUATOR** : POM  
Flammability UL 94 V-2

**CONTACTS** : Silver / Silver Alloy  
Copper

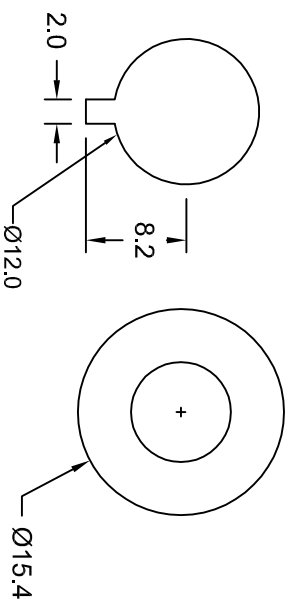
**TERMINALS** : Copper / Copper Alloy

**SPRING** : Stainless Steel

**RoHS Compliant**

### PANEL CUT-OUT SIZE

### BEZEL



### PANEL THICKNESS

1.00 (MIN)

\* Panel Cut-outs must be punched in the direction of insertion

# Astron Switch Craft