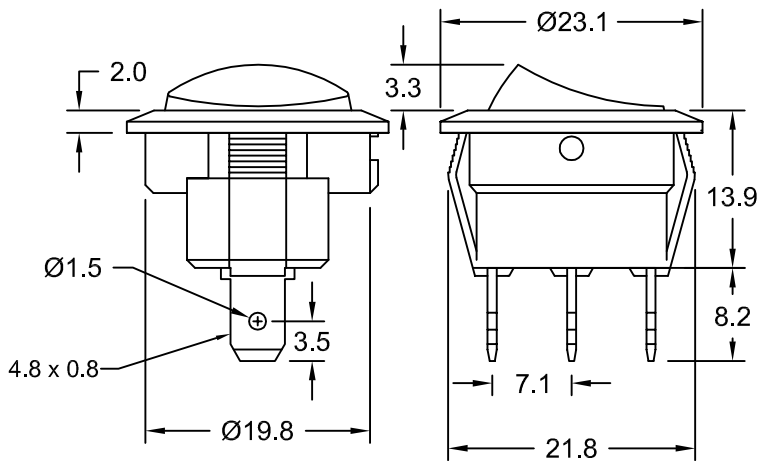
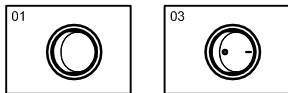


ARS 5 ILLUMINATED SPST ROCKER SWITCH



All dimensions are in mm

PRINTING OPTIONS

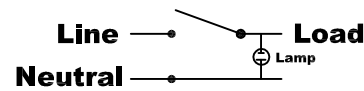


* Customized Printing options available on request

RATING

3 Amp, 250V AC
6 Amp, 250V AC

SPST Illuminated Rocker Switch Electrical Circuit Diagram



Approvals

Reference Standards : IEC / EN 61058 - 1
UL - 1054

Body Colour

Black
White
Grey

Rocker Colour

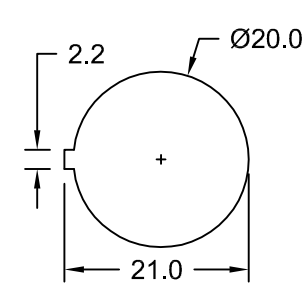
Red Green
Amber Blue

MATERIAL OF CONSTRUCTION

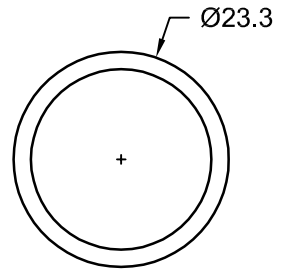
BODY : Nylon 66 (Unfilled)
Flammability UL 94 V-2
ROCKER : Polycarbonate
Flammability UL 94 V-2
CONTACTS : Silver / Silver Alloy
Copper
TERMINALS : Copper / Copper Alloy
SPRING : Stainless Steel

RoHS Compliant

PANEL CUT-OUT SIZE



BEZEL



DIMENSIONS FOR SNAP - IN MOUNTING

PANEL THICKNESS
1.00 - 2.00 mm

* Panel Cut-outs must be punched in the direction of insertion

Astron Switch Craft