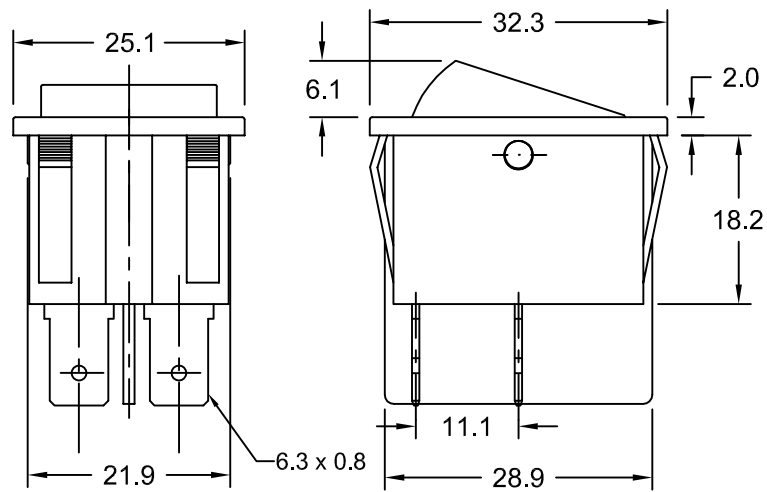
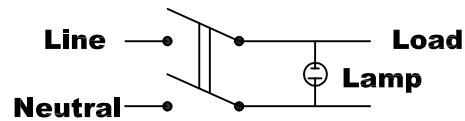


# AS 1 ILLUMINATED DPST ROCKER SWITCH



## DPST Illuminated Rocker Switch Electrical Circuit Diagram



### Approvals

CE - As per IEC / EN 61058 - 1

Reference Standards : IEC / EN 61058 - 1  
UL - 1054

### Body Colour

Black  
White  
Grey

### Rocker Colour

Red    Green  
Amber    Blue

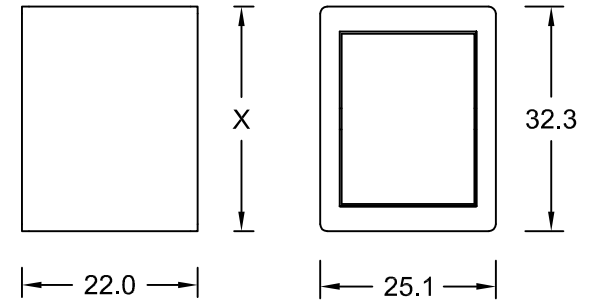
### MATERIAL OF CONSTRUCTION

BODY : Nylon 66 ( Unfilled )  
Flammability UL 94 V-2  
ROCKER : Polycarbonate  
Flammability UL 94 V-2  
CONTACTS : Silver / Silver Alloy  
Copper  
TERMINALS : Copper / Copper Alloy  
SPRING : Stainless Steel

**RoHS Compliant**

### PANEL CUT-OUT SIZE

### BEZEL



### DIMENSIONS FOR SNAP - IN MOUNTING

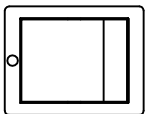
PANEL THICKNESS	DIMENSION X
0.75 - 1.25	30.0
1.25 - 2.00	30.2
2.00 - 3.00	30.4

\* Panel Cut-outs must be punched in the direction of insertion

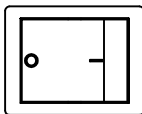
### PRINTING OPTIONS

### RATING

09



03



**6 Amp, 250V AC**  
**16 Amp, 250V AC**

\* Customized Printing options available on request

# Astron Switch Craft