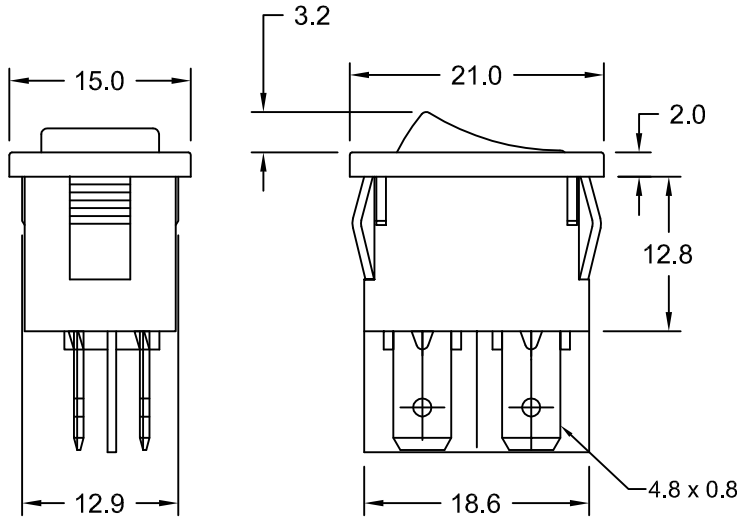
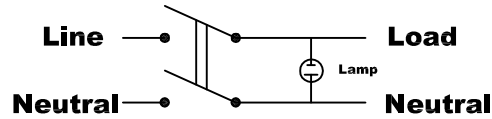


# AS 4 ILLUMINATED DPST ROCKER SWITCH



## DPST Illuminated Rocker Switch Electrical Circuit Diagram



### Approvals

CE - As per IEC / EN 61058 - 1

Reference Standards : IEC / EN 61058 - 1  
UL - 1054

### Body Colour

Black  
White  
Grey

### Rocker Colour

Red      Green  
Amber    Blue

### MATERIAL OF CONSTRUCTION

BODY : Nylon 66 ( Unfilled )  
Flammability UL 94 V-2  
ROCKER : Polycarbonate  
Flammability UL 94 V-2  
CONTACTS : Silver / Silver Alloy  
Copper  
TERMINALS : Copper / Copper Alloy  
SPRING : Stainless Steel

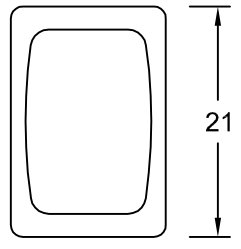
**RoHS Compliant**

### PANEL CUT-OUT SIZE



12.9

### BEZEL



15

### DIMENSIONS FOR SNAP - IN MOUNTING

#### PANEL THICKNESS

0.75 - 1.25

1.25 - 2.00

2.00 - 3.00

#### DIMENSION X

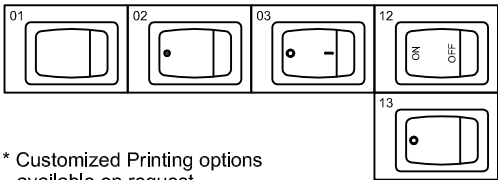
19.2

19.4

19.8

\* Panel Cut-outs must be punched in the direction of insertion

### PRINTING OPTIONS



\* Customized Printing options available on request

### RATING

4 Amp, 250V AC  
6 Amp, 250V AC  
10 Amp, 250V AC

# Astron Switch Craft