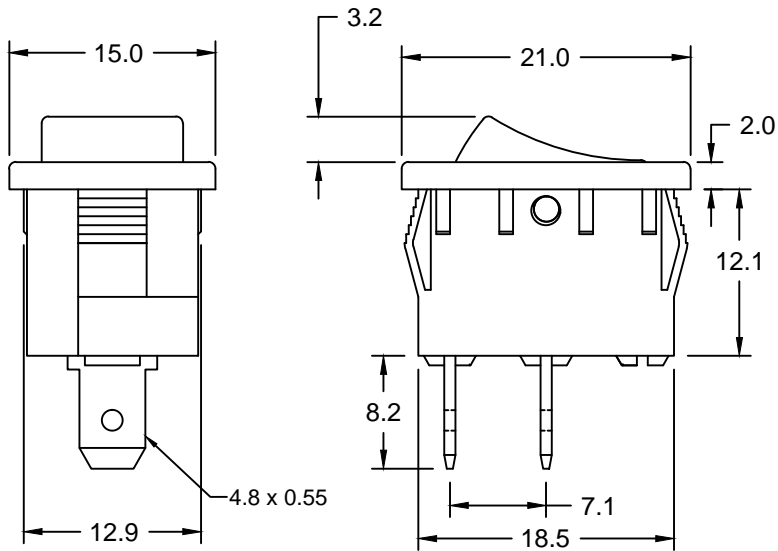
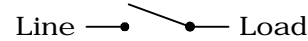


## AS 5E NON ILLUMINATED SPST ROCKER SWITCH



### SPST Non Illuminated Rocker Switch Electrical Circuit Diagram



#### Approvals

Reference Standards : IEC / EN 61058 - 1  
UL - 1054

#### Body Colour

Black  
White  
Grey

#### Rocker Colour

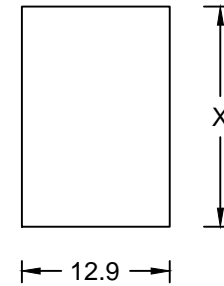
Black Red Blue  
White Yellow  
Grey Green

#### MATERIAL OF CONSTRUCTION

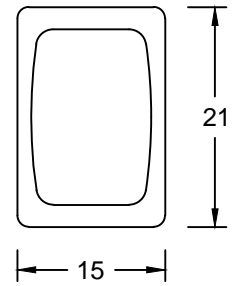
BODY : Nylon 66 ( Unfilled )  
Flammability UL 94 V-2  
ROCKER : Nylon 66 ( Unfilled )  
Flammability UL 94 V-2  
CONTACTS : Silver / Silver Alloy  
Copper  
TERMINALS : Copper / Copper Alloy  
SPRING : Stainless Steel

**RoHS Compliant**

#### PANEL CUT-OUT SIZE



#### BEZEL

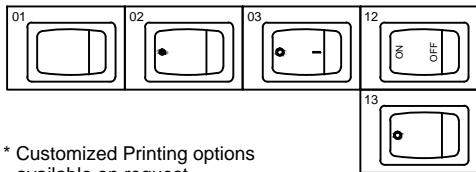


#### DIMENSIONS FOR SNAP - IN MOUNTING

PANEL THICKNESS	DIMENSION X
0.75 - 1.25	19.2
1.25 - 2.00	19.4
2.00 - 3.00	19.8

\* Panel Cut-outs must be punched in the direction of insertion

#### PRINTING OPTIONS



\* Customized Printing options  
available on request

#### RATING

**2 Amp, 250V AC**

**ASTRON**  
SWITCH CRAFT  
An ISO 9001:2015 Certified Company